

# HAZARDOUS LOCATION RETROFIT

UL LISTED FOR CLASS 1 DIVISION 2 FIXTURES



## upgrade + save



special UL certification  
for hazardous  
location fixtures

- 24W replaces up to 150W HID
- Certified for use in class 1 and division 2 group A, B, C, D
- Compatible with Filtr-Gard® H2 luminaire, and Crouse Hinds Champ® VMV luminaire, Appleton Mercmaster III and II
- Improves temperature classification to T5 for fixture
- Available in super bright 5700K to make any environment safer
- Easy upgrade to aging, costly hazardous location fixtures and save on energy costs
- USA designed and specified driver



MODEL #	UPC	REPLACES	W	LUMENS	LPW	CCT (K)
LED-8929E57-HAZ	844006083250	Up to 150W	24W	3425	140	5700K
LED-8929M57-HAZ	844006083298					

\*See page 2 for 347V models.

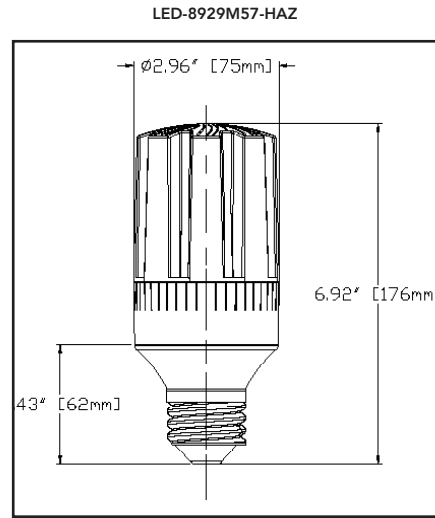
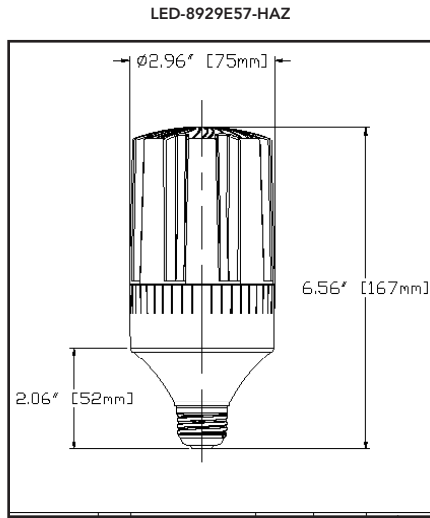


FOR PRODUCT INFO ("LED" MODEL #) CONTACT.....Light Efficient Design • 188 S. Northwest Highway • Cary, IL 60013 • 847.380.3540 • led-llc.com  
 FOR PRODUCT INFO ("RP" MODEL #) CONTACT.....RemPhos by Light Efficient Design • 30 Log Bridge Road, Building 200 • Middleton, MA 01949 • 877.997.3674 • remphos.com

08.15.18 Information is subject to change without notice.

# HAZARDOUS LOCATION RETROFIT

UL LISTED FOR CLASS 1 DIVISION 2 FIXTURES



MODEL #	UPC	REPLACES	W	LUMENS	LPW	CCT (K)
LED-8929E57-HAZ	844006083250	Up to 150W	24W	3425	140	5700K
LED-8929M57-HAZ	844006083298					
		CANADA 347V				
LED-8929E57C-HAZ	844006083250	Up to 150W	24W	3425	140	5700K
LED-8929M57C-HAZ	844006083298					



FOR PRODUCT INFO ("LED" MODEL #) CONTACT.....Light Efficient Design • 188 S. Northwest Highway • Cary, IL 60013 • 847.380.3540 • led-llc.com  
 FOR PRODUCT INFO ("RP" MODEL #) CONTACT.....RemPhos by Light Efficient Design • 30 Log Bridge Road, Building 200 • Middleton, MA 01949 • 877.997.3674 • remphos.com

08.15.18 Information is subject to change without notice.